



CubeSat Club

10/20/2011

Ms. Eloisa de Castro
Princeton Satellite Systems
6 Market Street, Suite 926
Plainsboro, NJ 08536



Challenge Question

Which of these systems will be essential to completing the mission?

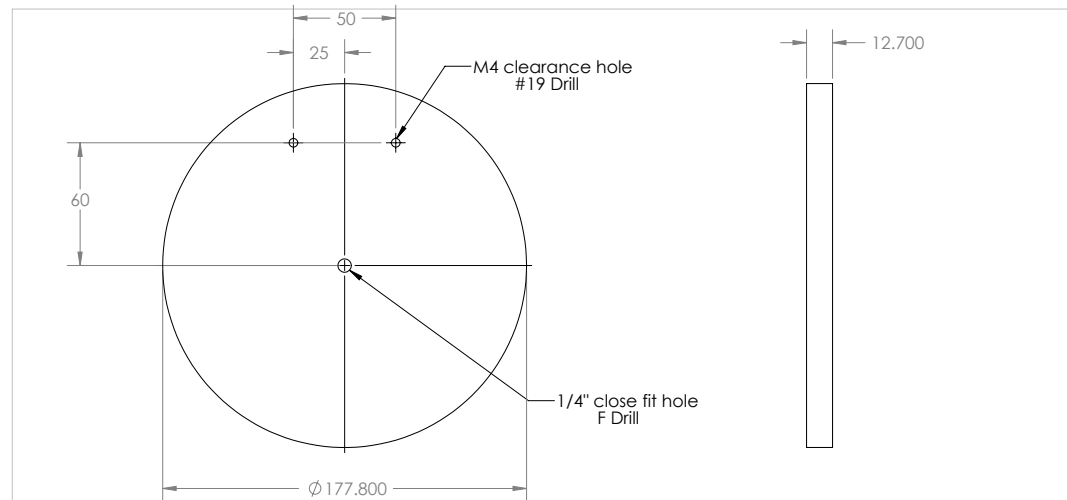
Teams

- A - Control - Points the spacecraft in the right direction
- B - Power - Makes sure the satellite always has enough power
- C - Mechanisms/Thermal - designs all moving parts, makes sure everything stays at the right temperature
- D - Telemetry - Makes sure we can talk to the CubeSat
- E - Payload/Integration - designs the experiments on the satellite, works on interfaces between systems

Engineering Drawings

- Technical Drawing
- Made by the designer
- Used by designers, manufacturers and customers
- Tells manufacturers everything they need to know to be able to produce or reproduce a part
- Aids customers in being able to use the part

Engineering Drawings



PROPRIETARY AND CONFIDENTIAL
THE INFORMATION CONTAINED IN THIS
DRAWING IS THE SOLE PROPERTY OF
<INSERT COMPANY NAME HERE>. ANY
REPRODUCTION IN PART OR AS A WHOLE
WITHOUT THE WRITTEN PERMISSION OF
<INSERT COMPANY NAME HERE> IS
PROHIBITED.

| | | | | | |
|-------------|---------|---|-----------|------|---------------------------------|
| | | UNLESS OTHERWISE SPECIFIED: | NAME | DATE | |
| | | DIMENSIONS ARE IN MILLIMETERS | DRAWN | | |
| | | TOLERANCES: | CHECKED | | TITLE: |
| | | FRACTIONAL ± | ENG APPR. | | |
| | | ANGULAR: MATCH ± BEND ± | MFG APPR. | | |
| | | TWO PLACE DECIMAL ± | | | |
| | | THREE PLACE DECIMAL ± | | | |
| | | INTERPRET GEOMETRIC TOLERANCING PER: | Q.A. | | |
| | | MATERIAL | COMMENTS: | | |
| NEXT ASSY | USED ON | FINISH | | | SIZE DWG. NO. REV |
| APPLICATION | | DO NOT SCALE DRAWING | | | A End_Base |
| | | | | | SCALE: 1:2 WEIGHT: SHEET 1 OF 1 |

Important Features

- Line Types
- Multiple Views
- Scale
- Dimensions
- Notes

Let's Start Building!

- Telemetry
- Payload
- Control
- Mechanisms
- Power

Contact Information

Website:

- <http://www.psatellite.com/CubeSat/>

E-mail:

- cubesat@psatellite.com